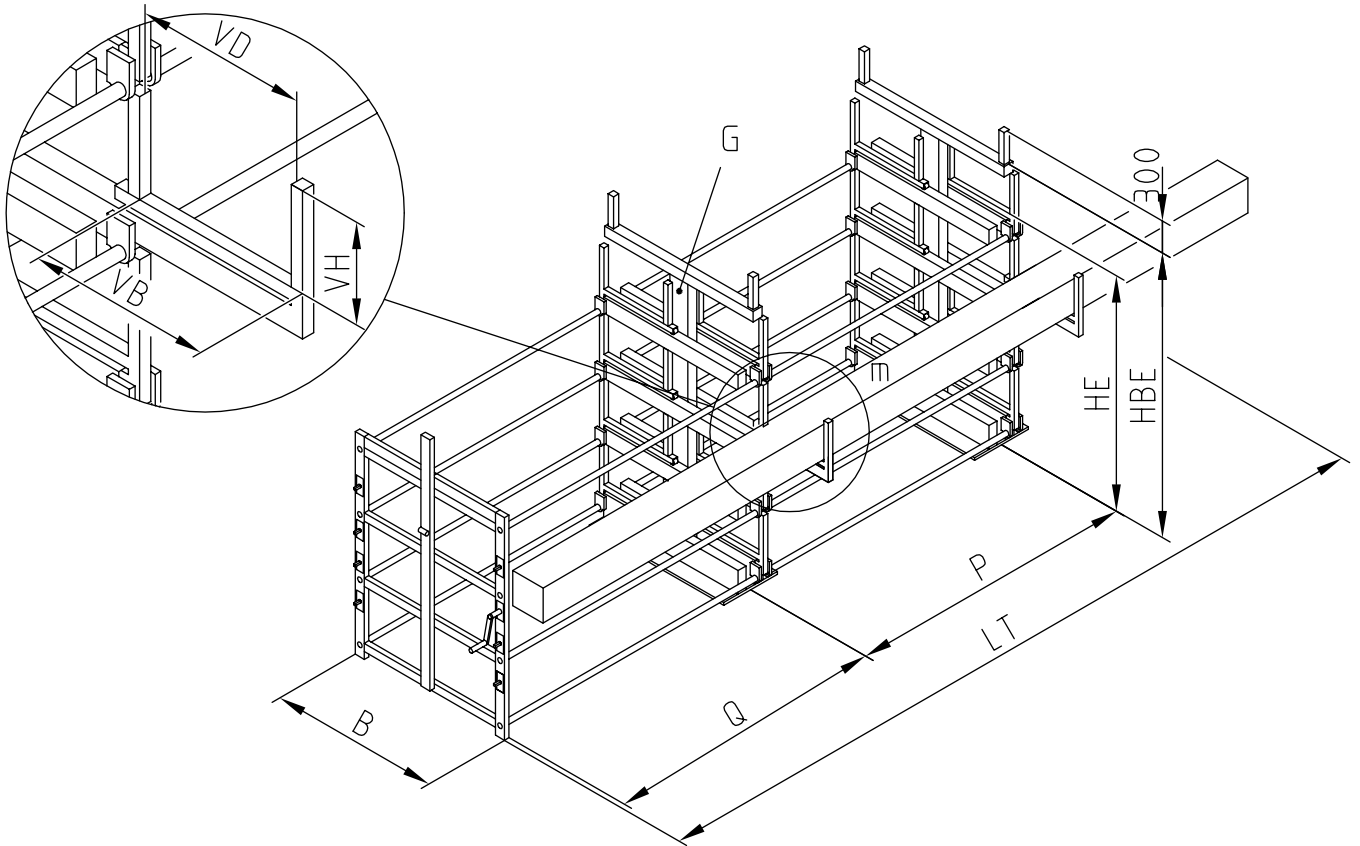


# WAGNER

© 1998 Wagner  
 Alle Rechte vorbehalten  
 Alle Rechte vorbehalten  
 Alle Rechte vorbehalten



VD	VB	B	m		
			2G	3G	4G
920	970	2250	3000	4500	6000
720	770	1850	4000	6000	7500
520	570	1450	5000	7500	7500

VH	ETAGES ETAGEN STORIES ETAGES	HE	HBE
200	2X3+1	1185	1558
	2X4+1	1630	2003
	2X5+1	2075	2448
	2X6+1	2520	2893
300	2X3+1	1385	1858
	2X4+1	1930	2403
	2X5+1	2475	2948
	2X6+1	3020	3493
400	2X3+1	1585	2158
	2X4+1	2230	2803
	2X5+1	2875	3448
500	2X3+1	1785	2458
	2X4+1	2530	3203
	2X5+1	3275	3948

ML	G GRIDS	Q	P	LT
3000	2	780	1640	3200
4000	2	1000	2200	4200
5000	2	1220	2760	5200
6000	2	1475	3350	6200
6000	3	915	2280	6200
12000	3	1675	4570	12200
12000	4	1675	3000	12200

TYPE AANDUIDING, TYPBEZEICHNUNG, TYPE INDICATION, TYPE DESCRIPTION :

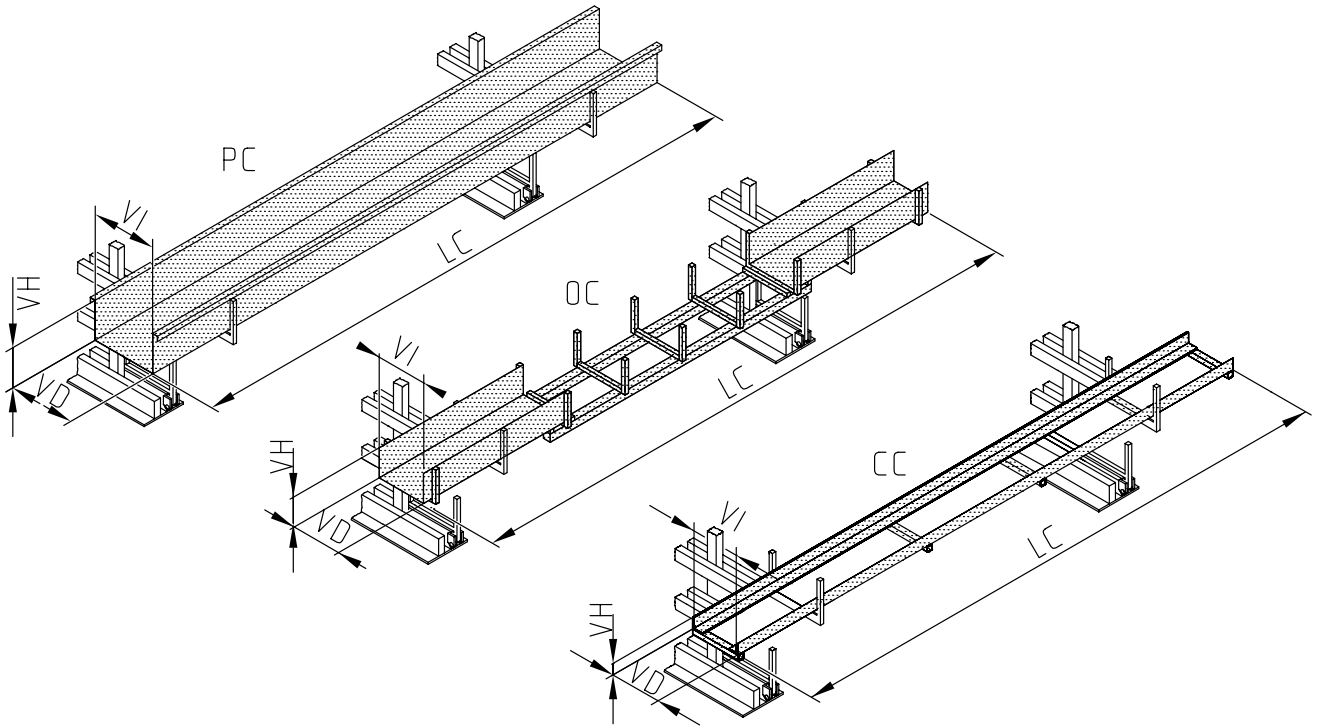
JUMBO-4E-2G-92X20 ML=6000mm

— MATERIAALLENGTE, MATERIALLENGE, MATERIALLENGTH, LONGUEUR DU MATERIEL, ML.  
 — VAKAFMETING, FACHABMESSUNG, COMPARTMENT MEASUREMENTS, DIMENSIONS COMPARTIMENTS, VDxVH.  
 — 2 DRAAGELEMENTEN, TRAGELEMENTE, SUPPORTS, MONTANTS.  
 — 2 X 4 UITROLBARE ETAGES, ETAGEN, STORIES, ETAGES + 1 BOVENETAGE, OBERE ETAGE, TOP STORIE, ETAGE SUPERIEUR.  
 — UITVOERING, AUSFUHRUNG, SYSTEM, TYPE.

m=kg  $\overbrace{\hspace{1cm}}^{\text{mm}}$

Alterations reserved

17D50101



TYPE TYP TYPE TYPE	ML	LC	VD	VI	VH
PC	3000	2900	920	904	200
OC	6000	5900	720	704	300
CC	3000	2900	920	894	120
	6000	5900	720	694	
			520	494	

TYPE AANWIJZING, TYPBEZEICHNING, TYPE INDICATION, TYPE DESCRIPTION :

OC-590-72x20

VAKAFMETING, FACHABMESSUNG, COMPARTMENT MEASUREMENTS, DIMENSIONS COMPARTIMENTS, VDxVH.

CASSETTELENGTE, KASSETTELENGE, CASSETTELENGTH, LONGUEUR DES CASIER, LC.

PC - PLATSTALEN CASSETTE, BLECHWANNEN CASSETTE, PLATESTEEL CASSETTE, CASIER EN TOLE D'ACIER.

OC - PROFIELPLAAT CASSETTE, PROFIELWANNEN CASSETTE, PROFILEPLATE CASSETTE, CASIER EN PROFILES ET EN TOLES

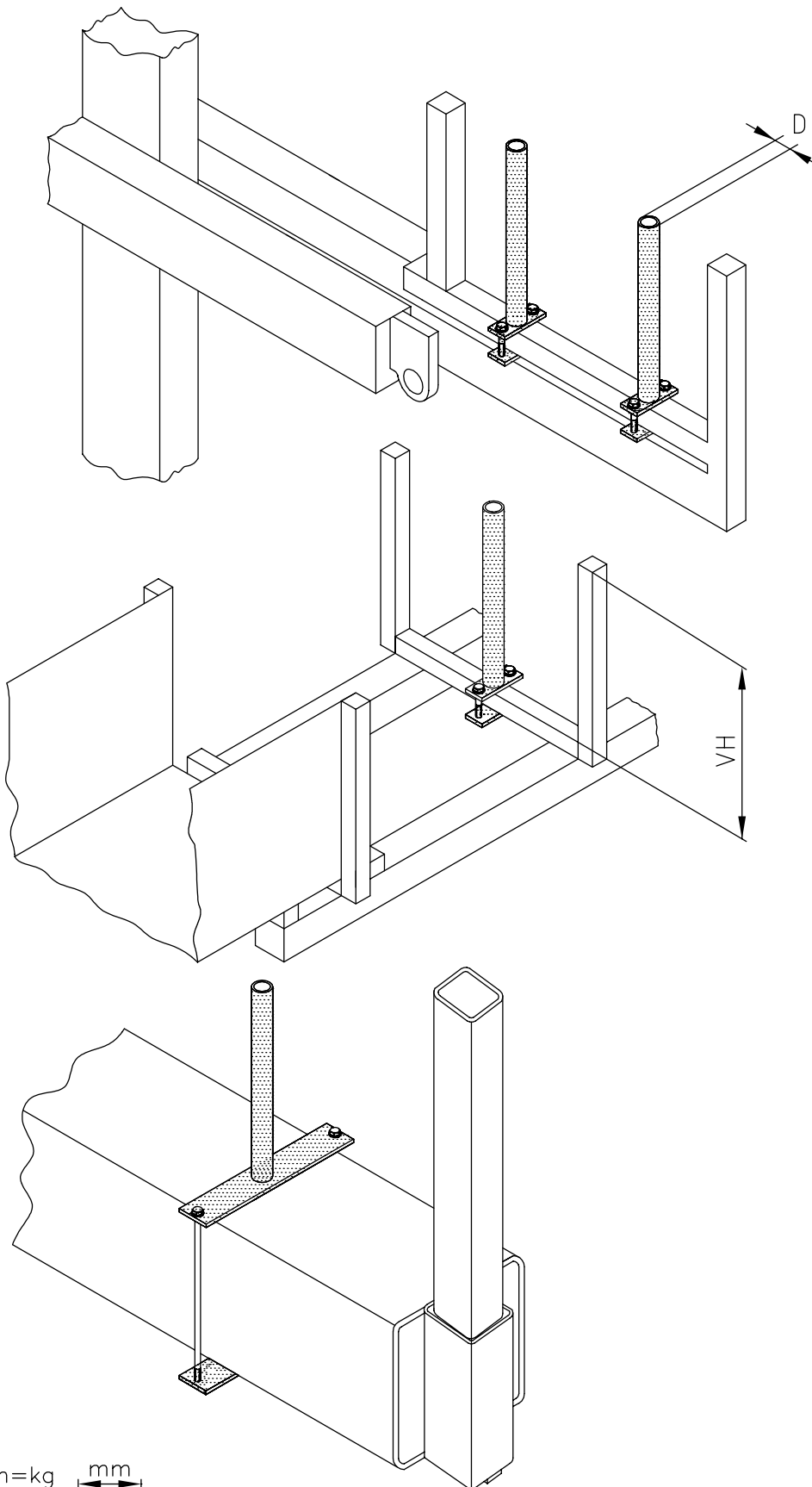
CC - PROFIEL CASSETTE, PROFIEL CASSETTE, PROFIL CASSETTE, CASIERS EN PROFILES

m=kg    mm

Alterations reserved

17D50402

# WAGNER



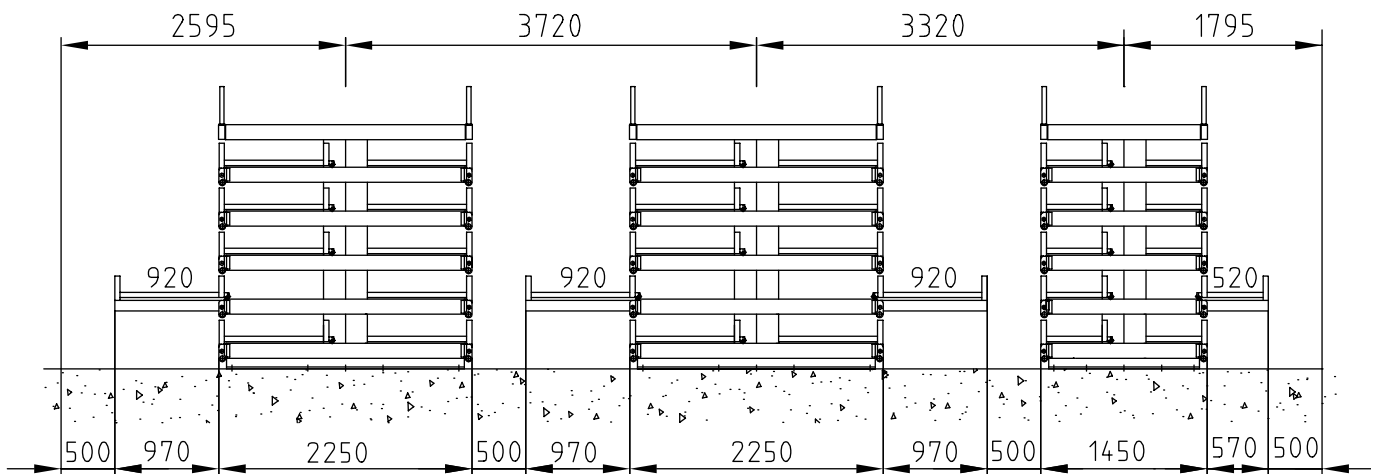
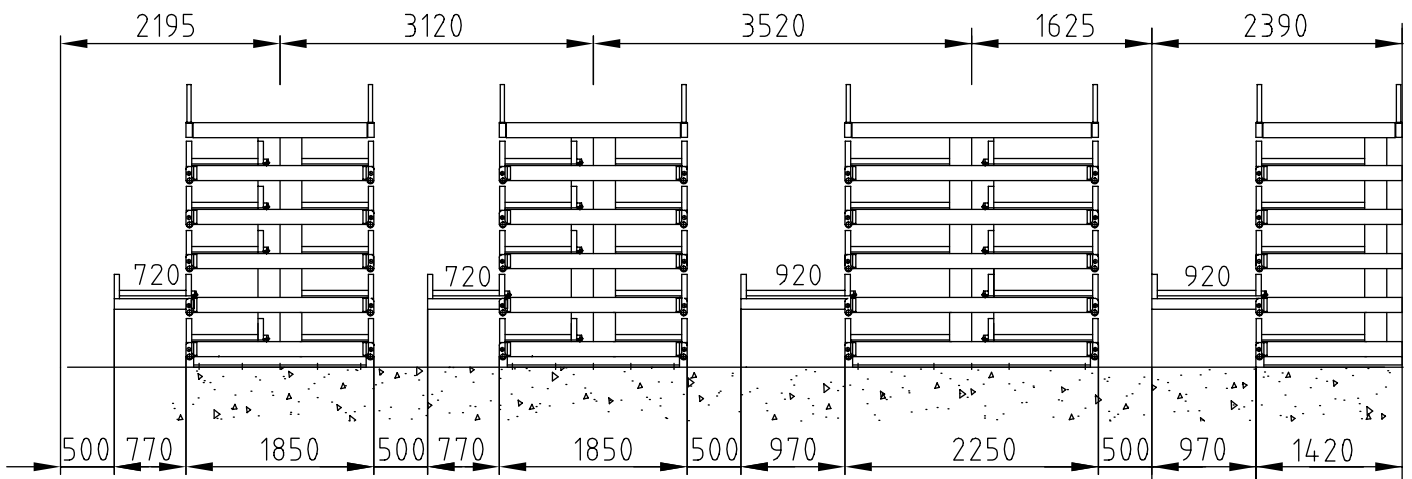
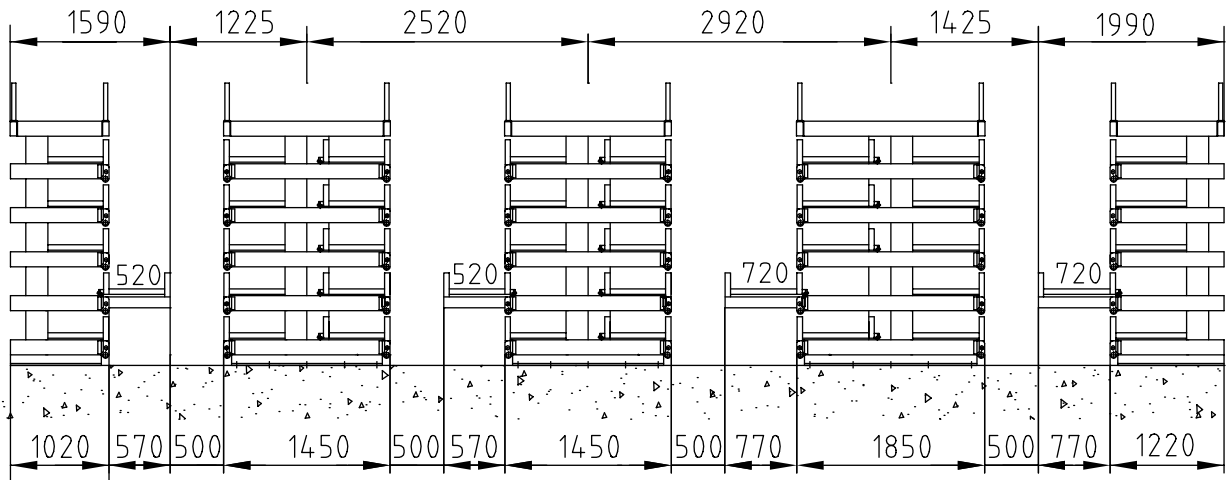
	D	VH
VP20	27	200
VP29	27	300
VP38	27	400
VP47	27	500

	D	VH
VPD29	27	300

m=kg  $\leftarrow$  mm  $\rightarrow$   
 Alterations reserved

17D50301

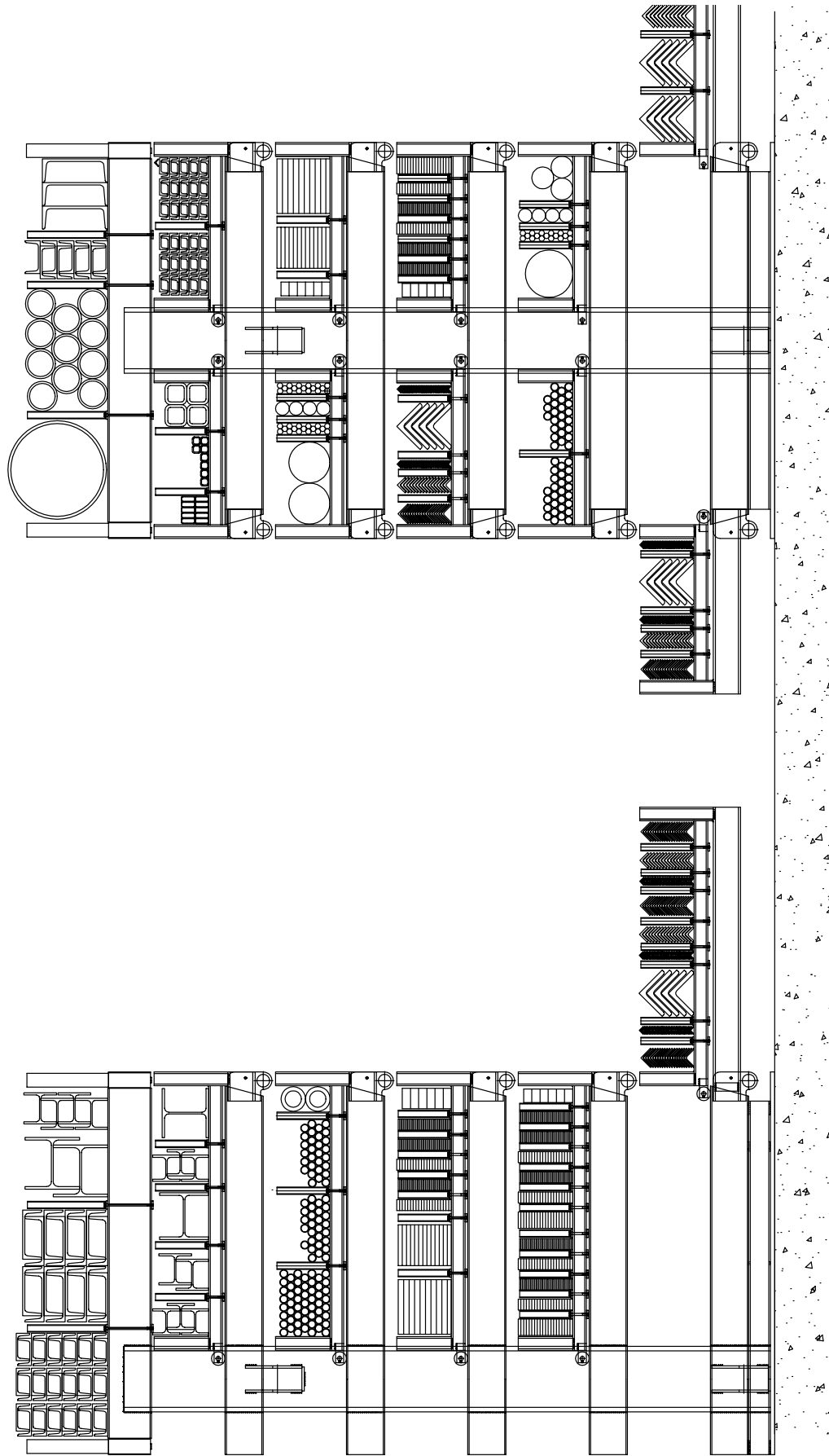
# WAGNER



m=kg  $\overbrace{\quad\quad}^{\text{mm}}$   
 Alterations reserved

17D5050

# WAGNER



JUMBO

MINI-JUMBO

m=kg  $\overleftrightarrow{\text{mm}}$   
Alterations reserved

17D50601